

SMALL CUTTING SHEARS TS KP

Models: TS KP 060* | TS KP 080



SCOPE OF DELIVERY

- Waste chopper complete with a directly mounted solenoid valve, 5/2 path
- Silencer, included guard plate and material guide plate

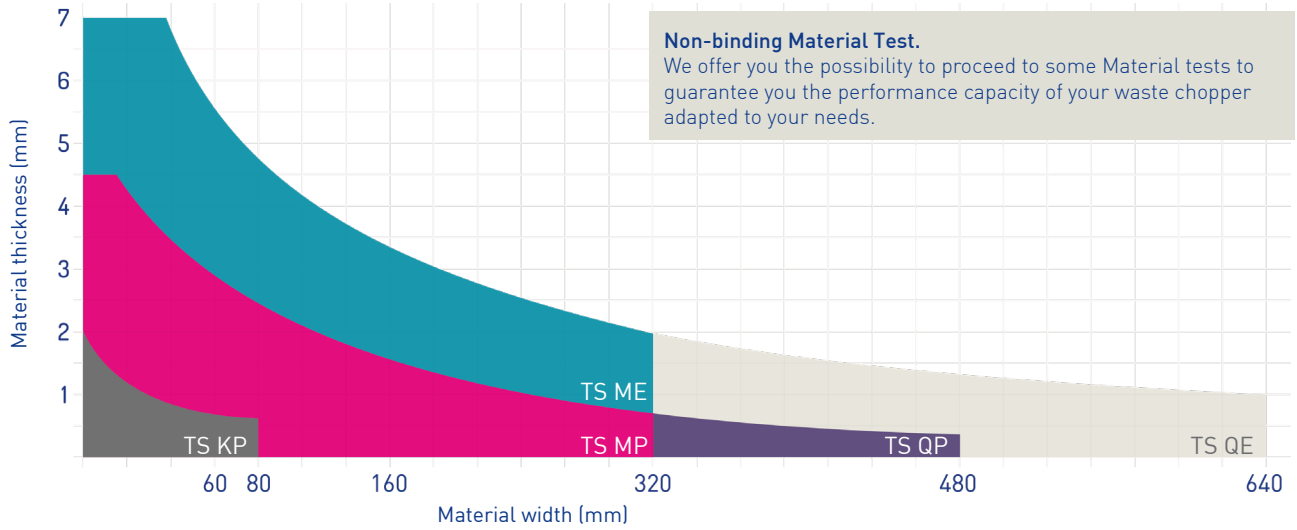
PRECISE CUTTING

- Precision shears for cut to length application

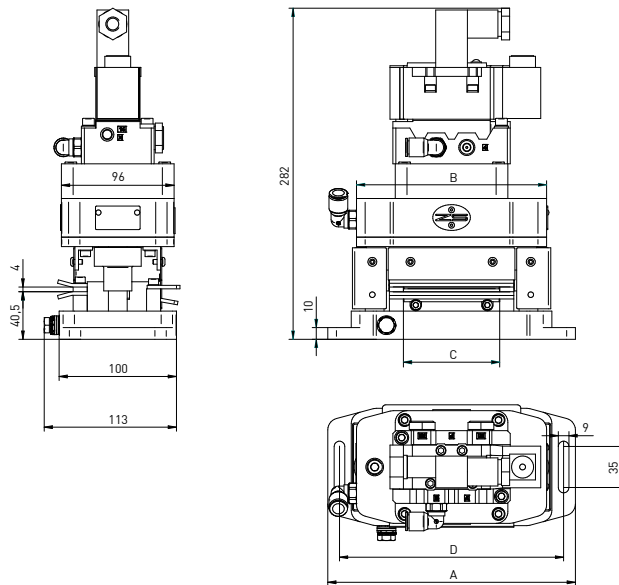
SMALL WASTE CHOPPER TS KP



PERFORMANCE



TECHNICAL SPECIFICATIONS



MODEL	TS KP 060*	TS KP 080
Cutting width max. (mm)	60	80
Support width A (mm)	190	211
Body width B (mm)	140	162
Opening width C (mm)	61	82
Mounting distance D (mm)	170	191
Cutting force max.	12 KN	
Strokes	400/min	
Air consumption pro switching cycle	1.2 l	

* TS KP 060 on customer request

SWITZERLAND

Zehnder & Sommer AG
CH-3400 Burgdorf
info@zehndersommer.com
Tel +41 31 800 00 00

GERMANY

Zehnder & Sommer GmbH
DE-58452 Witten
info@zehndersommer.de
Tel +49 2302 981 60 30

zehndersommer.com
ZSswiss.com