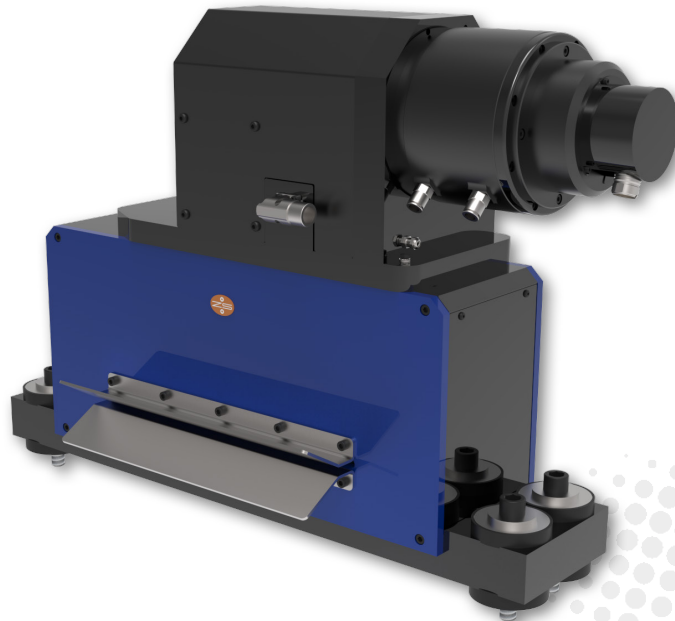


ELECTRIC CUTTING SHEARS TS ME

Models: TS ME 160 | TS ME 320



DYNAMIC SEPARATION

- Servo-electric eccentric drive with torque motor
- High performance control with modern control technology
- Fast cycle time (up to 50 ms)

PRECISE CUTTING

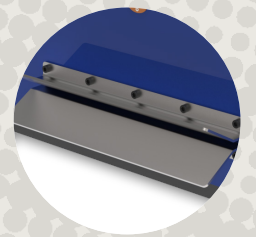
- High-quality 2-column guides with ball bearings
- Continuously adjustable cutting force
- Simple and precise adjustment of the cutting gap possible

SIMPLE & VERSATILE

- Multi-part blades for simple or sequential replacement
- Reversible cutting bar can be used twice
- More reliable removal of cutting waste due to improved outlet
- Optimized access for cleaning and blade replacement
- Shock-absorbing feet for vibration and noise

VERSATILE USE

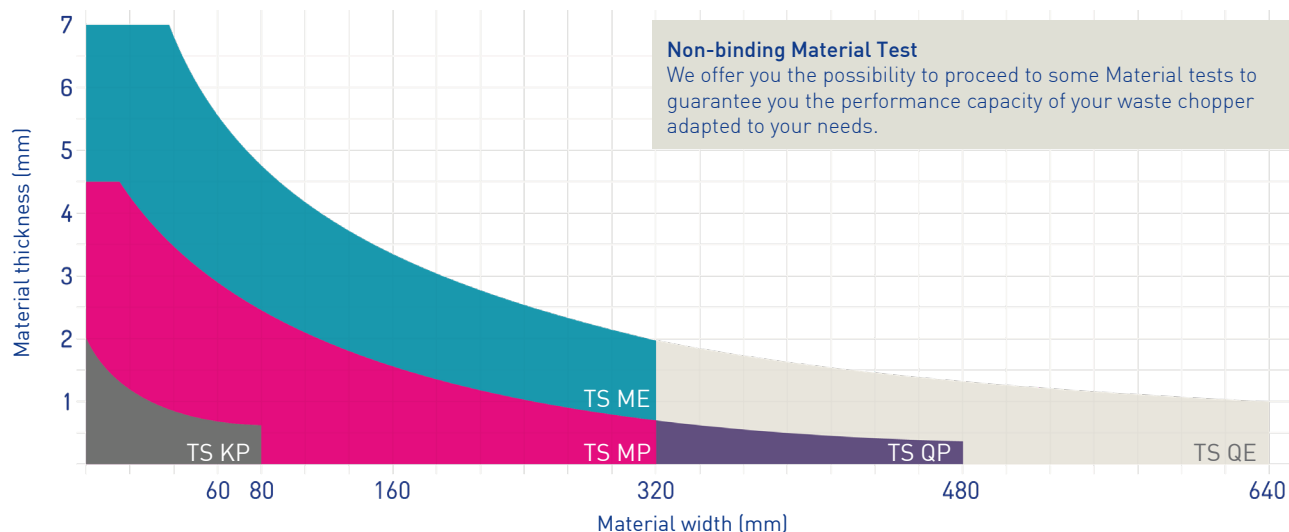
- Steel knives for demanding materials
- Pressers (recommended for materials less than 0.5 mm thick)
- One-piece top knife for precision cutting



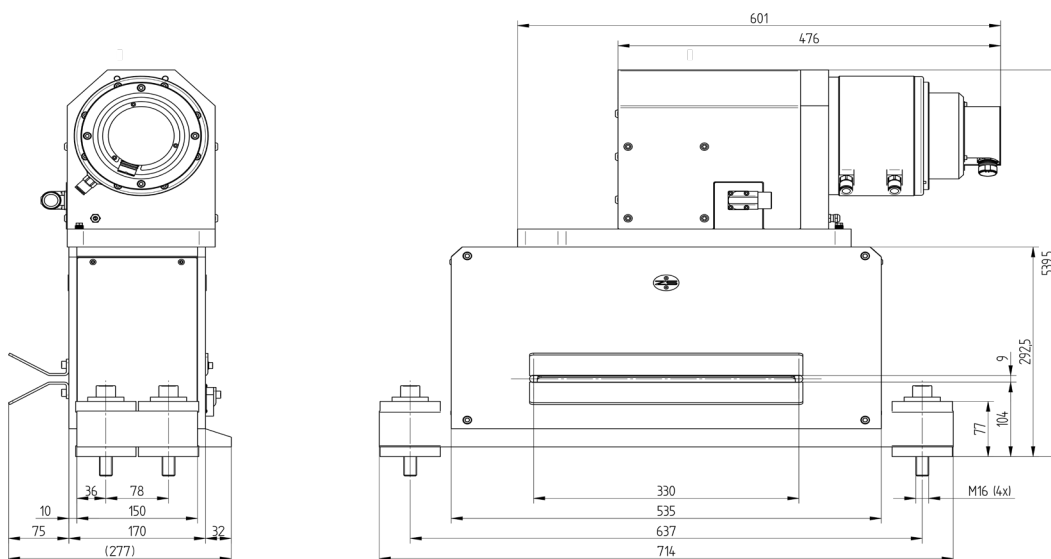
ELECTRIC CUTTING SHEARS TS ME



PERFORMANCE



TECHNICAL SPECIFICATIONS



MODEL	TS ME	(160)*	320
Cutting width max. (mm)		160	320
Support width A (mm)		34	714
Body width B (mm)		354	535
Opening width C (mm)		170	330
Mounting distance D (mm)		457	637
Material height max. (mm)			7
Cutting force max. (kN)			70
Strokes (ms)			70

* in preparation

SWITZERLAND

Zehnder & Sommer AG
CH-3400 Burgdorf
info@zehndersommer.com
Tel +41 31 800 00 00

GERMANY

Zehnder & Sommer GmbH
DE-58452 Witten
info@zehndersommer.de
Tel +49 2302 981 60 30

zehndersommer.com
ZSswiss.com