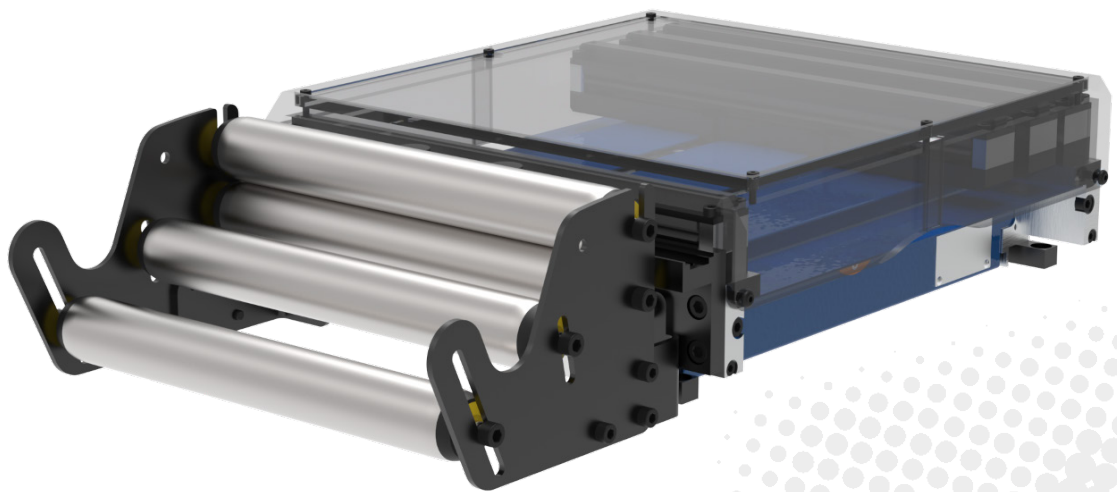


# ELECTRICAL GRIPPER FEED EZ ML 240

Models: EZ ML-C 240 | EZ ML-D 240 | EZ ML-E 240



## ACCURATE

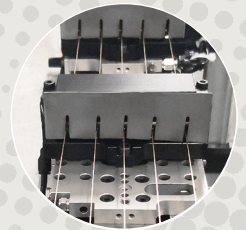
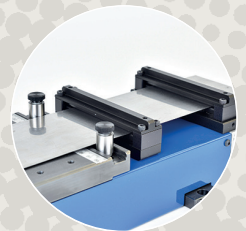
- Precision mechanics and high-tech materials for highest accuracy
- Powerful precision linear motor

## VERSATILE INSTALLATION

- Compact horizontal design with minimal installation height
- Available in 3 unit lengths: Compact (C)\*, Double (D), Extended (E)
- Cable Connector Box: separate or on device (MLC)
- Variable infeeds: basket with double rolls, inlet plate, wire inlet

## VERSATILE USE

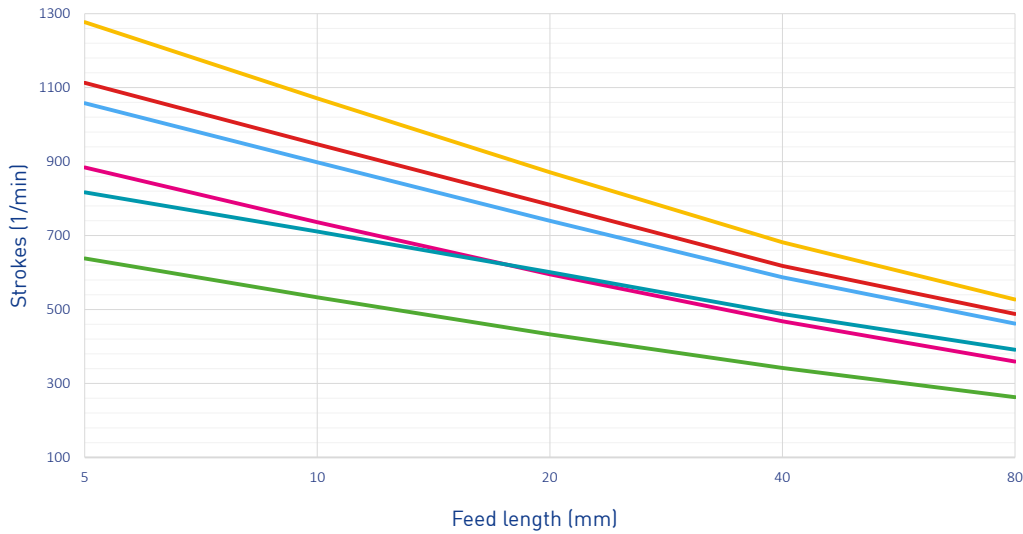
- Prepared for additional clamps, better wire guiding, considerable clamping force
- Various tailor made clamping, gripping and guiding options
- Good visibility into gripper chamber for easy threading
- Threading help button (material insertion without operating the control)
- Adaptable roll basket to fit material properties



# ELECTRICAL GRIPPER FEED EZ ML 240



PERFORMANCE



Performance curves (examples)\*

Loop weight / Number of moving clamps

0 kg / 1 clamp

0.5 kg / 1 clamp

2 kg / 1 clamp

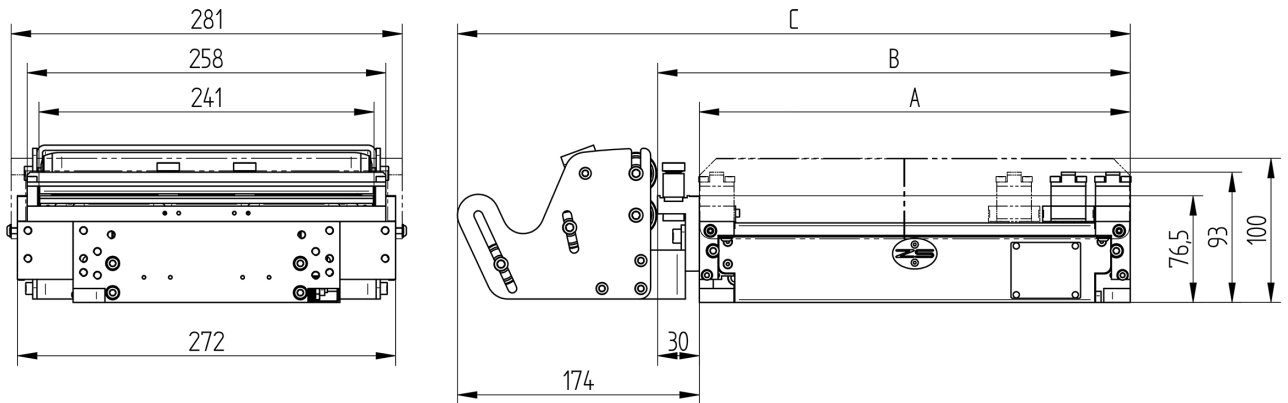
0.5 kg / 2 clamp

2 kg / 2 clamp

10 kg / 2 clamp

\*Calculation basis: EZ ML-D 240  
Optimum opening angle

TECHNICAL SPECIFICATIONS



MODEL	EZ	ML-C 240*	ML-D 240	ML-E 240
Bandwidth max. (mm)			240	
Feed length max (mm)		45	102	170
A: Length basic unit (mm)		180	310	440
B: Length with inlet plate (mm)		210	340	470
C: Length with roll basket type R (mm)		354	484	614
Clamp opening		ca. 1 mm		
Precision (mm)		+/- 0,03	+/- 0,01	+/- 0,02
Nominal traction force (N)		180	220	220
Peak traction force, approx. (N)		300	450	450
Clamping force at 6 bar (movable gripper)		(1) 900 N / (2) 1800 N		
Cross section (recommended)		max. 200 mm <sup>2</sup>		

\*Only on special request

## SWITZERLAND

Zehnder & Sommer AG  
CH-3400 Burgdorf  
info@zehndersommer.com  
Tel +41 31 800 00 00

## GERMANY

Zehnder & Sommer GmbH  
DE-58452 Witten  
info@zehndersommer.de  
Tel +49 2302 981 60 30

zehndersommer.com  
ZSswiss.com